

ENGINE

| | |
|---|--|
| Model | Isuzu AM-4HK1X Cooled EGR |
| Emissions Certification | Tier 4 Interim |
| Fuel | Requires ultra low-sulfur fuel B5 biodiesel tolerant |
| Type | Water-cooled, 4-cycle, high pressure common rail system Turbo-charged w/ air cooled intercooler, DPD system |
| Cylinders | 4-cylinder in-line |
| Displacement | 317 in ³ (5.2 L) |
| Bore/Stroke | 5 x 5 in (115 x 125 mm) |
| Fuel injection | Direct injection – electronic |
| Fuel filter | Replaceable, full flow spin-on cartridge |
| Air filter | Dry type element w/ warning restriction indicator |
| Oil filter | Replaceable, full flow spin-on cartridge |
| Engine gradeability: | |
| Side-to-side | 35° |
| Fore and aft | 35° |
| Net horsepower – SAE J1349 @ 1800 RPM: | 160 hp (119 kW) |
| Net max. torque – SAE J1349 @ 1500 RPM: | 458 lb-ft (621 N·m) |
| Cooling operating range: | 109° to -13° F (43° to -25° C) |
| Oil | Requires low-ash oil CJ-4 |

DRIVETRAIN

| | |
|---------------------|--|
| Travel control | Dual stage relief/ counter balance design |
| Brakes | Mechanical disc |
| Service brakes | SAHR disc – each motor |
| Two-speed travel: | |
| Max. high speed | 3.1 mph (5.0 kph) |
| Max. low speed | 2.0 mph (3.2 kph) |
| Automatic downshift | |
| Drawbar pull | 45,187 lbf (201 kN) |
| Gradeability | 70% – 35° slope |

ELECTRICAL

| | |
|--------------------------|--------------|
| Voltage | 24 Volts |
| Alternator rating | 50 amp |
| Batteries | 2 x 12 Volt |
| Battery reserve capacity | 92 Ah/5 hour |
| Work lights | 24 Volt |
| 1 boom | 70 watt |
| 1 upper | 70 watt |

OPERATOR ENVIRONMENT

| | |
|----------------------------------|----------------|
| Air conditioner output | 13,492 BTU/hr |
| Heater output | 12,892 BTU/hr |
| Sound level inside cab – ISO6395 | 70 dBA |
| Electrical outlet | 12 Volt |
| Cab interior light | 10 watt |
| Rear view camera | Standard |
| Seat | Air-suspension |

ATTACHMENT

| | |
|-----------------------|------------------------|
| Boom | 18 ft 8 in (5 700 mm) |
| Arm | 96 ft 5 in (29 400 mm) |
| Bucket digging force* | 31,923 lb (142 kN) |
| w/ Auto Power-Boost | 34,171 lb (152 kN) |

NOTE: *Digging force ratings based on ISO6015.

OPERATING WEIGHT

| | |
|------------------|-----------------------|
| Operating weight | 56,879 lb (25 800 kg) |
| w/ shoes | 2 ft 0 in (600 mm) |
| w/ boom | 18 ft 8 in (5 700 mm) |
| w/ arm | 9 ft 8 in (2 940 mm) |
| w/ bucket | 1,435 lb (651 kg) |
| w/ counterweight | 13,095 lb (5 940 kg) |

NOTE: w/ operator/full fuel/standard equipment

GROUND PRESSURE

| | |
|---|--------------------|
| @ Standard operating weight | 8.4 psi (0.58 bar) |
| w/ 31.5 in (800 mm) triple semi-grouser shoes | |

DOZER BLADE

| | |
|------------------------|----------------------|
| Blade Width | 9 ft 2 in (2 800 mm) |
| Blade Height | 2 ft 0 in (610 mm) |
| Max. lift above ground | 1 ft 7 in (490 mm) |
| Max. drop below ground | 1 ft 3 in (390 mm) |

HYDRAULICS

| | |
|--|---|
| System design | Open center |
| Main pumps | Two variable displacement/ axial pistons |
| Max. rated flow | 55.7 gpm (211 L/min) |
| System pressures: | |
| Boom, arm and bucket | 4,975 psi (343 bar) |
| w/ power boost | 5,337 psi (368 bar) |
| Travel circuits | 4,975 psi (343 bar) |
| Swing circuits | 4,264 psi (294 bar) |
| Pilot pump | 1 x gear design |
| Max. capacity | 4.8 gpm (18 L/min) |
| Controls | w/ boom/arm holding valve |
| Right track travel, bucket, boom and arm acceleration. | Four-spool section |
| Left track travel, bucket, boom and arm acceleration. | Five-spool section |

HYDRAULICS (cont.)

| | |
|----------------------|---|
| Work mode selections | SP: Speed Priority H: Heavy Duty A: Automatic |
| Swing motor | Fixed displacement axial piston |
| Swing final drive | Planetary gear reduction |
| Travel motor | Two-speed independent travel/axial piston |

HYDRAULIC CYLINDERS

| | |
|-----------------------|--------------------|
| Boom cylinders | Two (2) |
| Cylinder bore | 4.7 in (120 mm) |
| Cylinder rod diameter | 3.3 in (85 mm) |
| Cylinder stroke | 53.9 in (1 370 mm) |
| Arm cylinder | One (1) |
| Cylinder bore | 5.5 in (140 mm) |
| Cylinder rod diameter | 3.9 in (100 mm) |
| Cylinder stroke | 57.5 in (1 460 mm) |
| Bucket cylinder | One (1) |
| Cylinder bore | 4.7 in (120 mm) |
| Cylinder rod diameter | 3.3 in (85 mm) |
| Cylinder stroke | 39.8 in (1 010 mm) |
| Dozer blade | Two (2) |
| Cylinder bore | 5.0 in (130 mm) |
| Cylinder rod diameter | 3.1 in (80 mm) |
| Cylinder stroke | 10.2 in (260 mm) |

SERVICE CAPACITIES

| | |
|----------------------|----------------|
| Fuel tank | 85 gal (320 L) |
| Hydraulic system | 67 gal (252 L) |
| Hydraulic tank | 30 gal (114 L) |
| Engine oil w/ filter | 6 gal (23.1 L) |
| Swing drive | 5.3 qt (5 L) |
| Final drive | 5.3 qt (5 L) |
| Cooling system | 8 gal (30.9 L) |

OTHER SPECIFICATIONS

| | |
|------------------------|----------------------------|
| Swing speed | 0 – 11.8 RPM |
| Swing torque | 47,204 lb-ft (64 000 N·m) |
| Swing brake | Mechanical disc |
| Undercarriage: | |
| Length | 13 ft 9 in (4 180 mm) |
| Track gauge | 7 ft 3 in (2 200 mm) |
| Carrier rollers | 2 |
| Track rollers | 7 |
| Shoes – Triple grouser | 46 |
| Shoe width – std. | 2 ft 0 in (600 mm) |
| Link pitch | 7 in (190 mm) |
| Track: | |
| Chain | Grease lubricated/strutted |
| Guides | Single |
| Adjustment | Hydraulic |

LIFT CAPACITIES WITH DOZER BLADE OFF GROUND

7 ft 10 in (2.40 m) Lift capacities using a 1,550 lb (703 kg) bucket, 13,092 lb (5 940 kg) counterweight.

| Load (Lift Point Height) | 5 ft (1.5 m) | | 10 ft (3 m) | | 15 ft (4.5 m) | | 20 ft (6 m) | | 25 ft (7.5 m) | | MAXIMUM REACH | | |
|--------------------------------|----------------------------|----------------------------|----------------------------|----------------------------|----------------------------|---------------------------|---------------------------|---------------------------|---------------------------|------------------------|-------------------------|---------------------------|--------------------------|
| | END | SIDE | END | SIDE | END | SIDE | END | SIDE | END | SIDE | @ | END | SIDE |
| +30 ft (9 m) | | | | | 10,000 lb* (4 536 kg)* | 10,000 lb* (4 536 kg)* | | | | | 16 ft 8 in (5.08 m) | 8,500 lb* (3 856 kg)* | 8,500 lb* (3 856 kg)* |
| +25 ft (7.5 m) | | | | | 8,050 lb* (3 651 kg)* | 8,050 lb* (3 651 kg)* | 9,800 lb* (4 445 kg)* | 9,800 lb* (4 445 kg)* | | | 22 ft 11 in (6.99 m) | 7,300 lb* (3 311 kg)* | 7,300 lb* (3 311 kg)* |
| +20 ft (6 m) | | | | | 11,300 lb* (5 126 kg)* | 11,300 lb* (5 126 kg)* | 10,750 lb* (4 876 kg)* | 10,750 lb* (4 876 kg)* | 9,800 lb* (4 445 kg)* | 7,600 lb (3 447 kg) | 26 ft 5 in (8.05 m) | 6,900 lb* (3 130 kg)* | 6,800 lb (3 084 kg) |
| +15 ft (4.5 m) | | | 18,000 lb* (8 165 kg)* | 18,000 lb* (8 165 kg)* | 14,350 lb* (6 509 kg)* | 14,350 lb* (6 509 kg)* | 11,900 lb* (5 398 kg)* | 10,800 lb (4 899 kg) | 10,750 lb* (4 876 kg)* | 7,450 lb (3 379 kg) | 28 ft 7 in (8.71 m) | 6,850 lb* (3 107 kg)* | 5,800 lb (2 631 kg) |
| +10 ft (3 m) | | | 26,800 lb* (12 156 kg)* | 26,800 lb* (12 156 kg)* | 18,500 lb* (8 391 kg)* | 16,000 lb (7 257 kg) | 13,900 lb* (6 305 kg)* | 10,250 lb (4 649 kg) | 10,850 lb (4 921 kg) | 7,150 lb (3 243 kg) | 29 ft 6 in (8.99 m) | 7,050 lb* (3 198 kg)* | 5,350 lb (2 427 kg) |
| +5 ft (1.5 m) | | | | | 21,650 lb* (9 820 kg)* | 14,900 lb (6 759 kg) | 15,000 lb (6 804 kg) | 9,750 lb (4 423 kg) | 10,550 lb (4 785 kg) | 6,900 lb (3 130 kg) | 29 ft 6 in (8.99 m) | 7,500 lb* (3 402 kg)* | 5,200 lb (2 359 kg) |
| Groundline | | | 17,500 lb* (7 938 kg)* | 17,500 lb* (7 938 kg)* | 22,850 lb* (10 365 kg)* | 14,250 lb (6 464 kg) | 14,600 lb (6 622 kg) | 9,350 lb (4 241 kg) | 10,350 lb (4 695 kg) | 6,700 lb (3 039 kg) | 28 ft 7 in (8.71 m) | 8,250 lb* (3 742 kg)* | 5,400 lb (2 449 kg) |
| -5 ft (-1.5 m) | 18,100 lb* (8 210 kg)* | 18,100 lb* (8 210 kg)* | 25,650 lb* (11 635 kg)* | 25,650 lb* (11 635 kg)* | 22,600 lb* (10 251 kg)* | 14,150 lb (6 418 kg) | 14,450 lb (6 554 kg) | 9,200 lb (4 173 kg) | 10,350 lb (4 695 kg) | 6,650 lb (3 016 kg) | 26 ft 9 in (8.15 m) | 9,350 lb (4 241 kg) | 6,050 lb (2 744 kg) |
| -10 ft (-3 m) | 25,300 lb* (11 476 kg)* | 25,300 lb* (11 476 kg)* | 29,950 lb* (13 585 kg)* | 27,800 lb (12 610 kg) | 20,950 lb* (9 503 kg)* | 14,400 lb (6 532 kg) | 14,550 lb* (6 600 kg)* | 9,400 lb (4 264 kg) | | | 23 ft 8 in (7.21 m) | 11,350 lb* (5 148 kg)* | 7,350 lb (3 334 kg) |
| -15 ft (-4.5 m) | | | 23,450 lb* (10 637 kg)* | 23,450 lb* (10 637 kg)* | 16,550 lb* (7 507 kg)* | 14,750 lb (6 690 kg) | | | | | 19 ft 0 in (5.79 m) | 11,150 lb* (5 058 kg)* | 10,450 lb (4 740 kg) |

9 ft 8 in (2.94 m) Lift capacities using a 1,450 lb (658 kg) bucket, 13,092 lb (5 940 kg) counterweight.

| Load (Lift Point Height) | 5 ft (1.5 m) | | 10 ft (3 m) | | 15 ft (4.5 m) | | 20 ft (6 m) | | 25 ft (7.5 m) | | 30 ft (9 m) | | MAXIMUM REACH | | |
|--------------------------------|----------------------------|----------------------------|----------------------------|----------------------------|----------------------------|---------------------------|---------------------------|---------------------------|---------------------------|------------------------|--------------------------|--------------------------|------------------------|---------------------------|--------------------------|
| | END | SIDE | END | SIDE | END | SIDE | END | SIDE | END | SIDE | END | SIDE | @ | END | SIDE |
| +30 ft (9 m) | | | | | 4,700 lb* (2 132 kg)* | 4,700 lb* (2 132 kg)* | | | | | | | 19 ft 7 in (5.97 m) | 5,650 lb* (2 563 kg)* | 5,650 lb* (2 563 kg)* |
| +25 ft (7.5 m) | | | | | | | 8,850 lb* (4 014 kg)* | 8,850 lb* (4 014 kg)* | | | | | 25 ft 0 in (7.62 m) | 4,950 lb* (2 245 kg)* | 4,950 lb* (2 245 kg)* |
| +20 ft (6 m) | | | | | | | 9,850 lb* (4 468 kg)* | 9,850 lb* (4 468 kg)* | 8,950 lb* (4 060 kg)* | 7,850 lb (3 561 kg) | | | 28 ft 3 in (8.61 m) | 4,700 lb* (2 132 kg)* | 4,700 lb* (2 132 kg)* |
| +15 ft (4.5 m) | | | 10,950 lb* (4 967 kg)* | 10,950 lb* (4 967 kg)* | 12,300 lb* (5 579 kg)* | 12,300 lb* (5 579 kg)* | 10,950 lb* (4 967 kg)* | 10,950 lb* (4 967 kg)* | 10,050 lb* (4 559 kg)* | 7,650 lb (3 470 kg) | 5,300 lb* (2 404 kg)* | 5,300 lb* (2 404 kg)* | 30 ft 2 in (9.19 m) | 4,650 lb* (2 109 kg)* | 4,650 lb* (2 109 kg)* |
| +10 ft (3 m) | | | 23,800 lb* (10 795 kg)* | 23,800 lb* (10 795 kg)* | 17,100 lb* (7 756 kg)* | 16,250 lb (7 371 kg) | 13,200 lb* (5 987 kg)* | 10,500 lb (4 763 kg) | 11,000 lb (4 990 kg) | 7,350 lb (3 334 kg) | 7,950 lb* (3 606 kg)* | 5,350 lb (2 427 kg) | 31 ft 1 in (9.47 m) | 4,850 lb* (2 200 kg)* | 4,850 lb* (2 200 kg)* |
| +5 ft (1.5 m) | | | 21,000 lb* (9 525 kg)* | 21,000 lb* (9 525 kg)* | 20,850 lb* (9 457 kg)* | 15,300 lb (6 940 kg) | 15,100 lb* (6 849 kg)* | 9,950 lb (4 513 kg) | 10,750 lb (4 876 kg) | 7,050 lb (3 198 kg) | 8,000 lb (3 629 kg) | 5,200 lb (2 359 kg) | 31 ft 1 in (9.47 m) | 5,150 lb* (2 336 kg)* | 4,850 lb (2 200 kg) |
| Groundline | | | 19,400 lb* (8 800 kg)* | 19,400 lb* (8 800 kg)* | 22,750 lb* (10 319 kg)* | 14,450 lb (6 554 kg) | 14,750 lb (6 690 kg) | 9,500 lb (4 309 kg) | 10,450 lb (4 740 kg) | 6,800 lb (3 084 kg) | 6,800 lb* (3 084 kg)* | 5,100 lb (2 313 kg) | 30 ft 3 in (9.22 m) | 5,700 lb* (2 585 kg)* | 5,000 lb (2 268 kg) |
| -5 ft (-1.5 m) | 16,250 lb* (7 371 kg)* | 16,250 lb* (7 371 kg)* | 24,800 lb* (11 249 kg)* | 24,800 lb* (11 249 kg)* | 22,850 lb* (10 365 kg)* | 14,200 lb (6 441 kg) | 14,500 lb (6 577 kg) | 9,250 lb (4 196 kg) | 10,350 lb (4 695 kg) | 6,650 lb (3 016 kg) | | | 28 ft 6 in (8.69 m) | 6,650 lb* (3 016 kg)* | 5,500 lb (2 495 kg) |
| -10 ft (-3 m) | 22,350 lb* (10 138 kg)* | 22,350 lb* (10 138 kg)* | 32,050 lb* (14 538 kg)* | 36,241 lb (16 439 kg) | 21,850 lb* (9 911 kg)* | 14,350 lb (6 509 kg) | 14,550 lb (6 600 kg) | 9,350 lb (4 241 kg) | 10,450 lb* (4 740 kg)* | 6,850 lb (3 107 kg) | | | 25 ft 8 in (7.82 m) | 8,400 lb* (3 810 kg)* | 6,500 lb (2 948 kg) |
| -15 ft (-4.5 m) | 32,300 lb* (14 651 kg)* | 32,300 lb* (14 651 kg)* | 26,700 lb* (12 111 kg)* | 26,700 lb* (12 111 kg)* | 18,650 lb* (8 459 kg)* | 14,800 lb (6 713 kg) | 13,050 lb* (5 919 kg)* | 9,800 lb (4 445 kg) | | | | | 21 ft 4 in (6.50 m) | 11,050 lb* (5 012 kg)* | 8,750 lb (3 969 kg) |

NOTE: *Lift capacities do not exceed 75% of the minimum tipping load or 87% of the hydraulic lift capacity.
Capacities that are marked with an asterisk are hydraulic limited.

LIFT CAPACITIES WITH DOZER BLADE ON GROUND

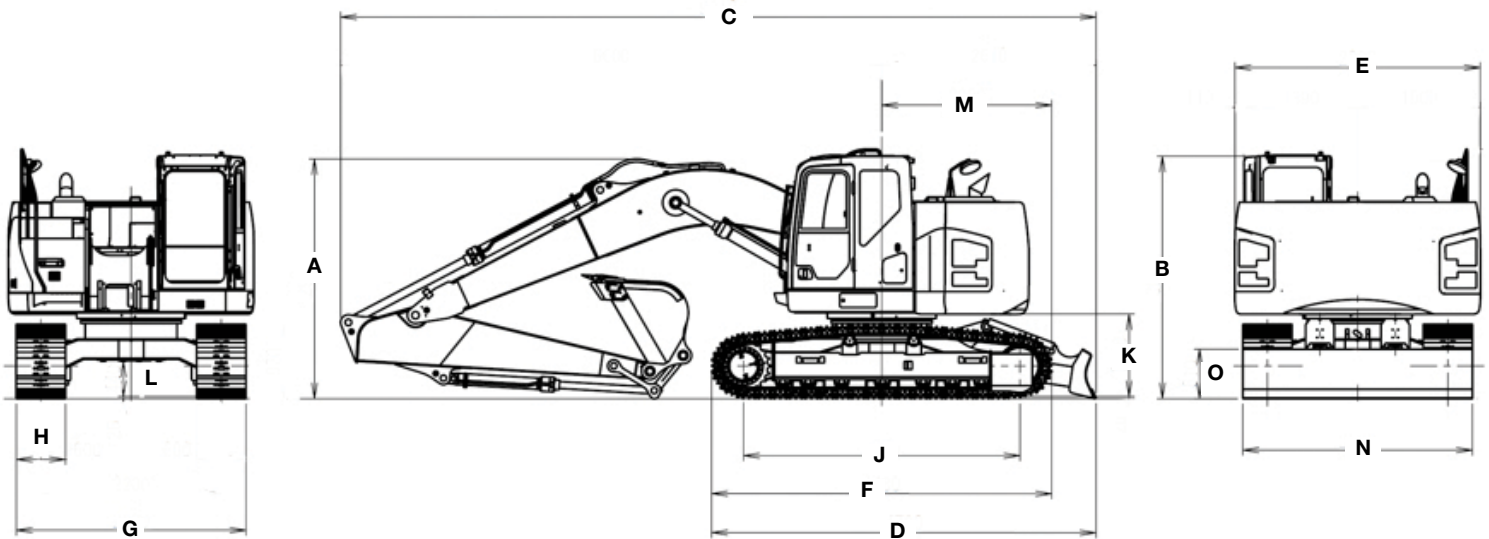
7 ft 10 in (2.40 m) Lift capacities using a 1,550 lb (703 kg) bucket, 13,092 lb (5 940 kg) counterweight.

| Load (Lift Point Height) | 5 ft (1.5 m) | | 10 ft (3 m) | | 15 ft (4.5 m) | | 20 ft (6 m) | | 25 ft (7.5 m) | | MAXIMUM REACH | | |
|--------------------------------|----------------------------|---------------------------|----------------------------|----------------------------|----------------------------|---------------------------|---------------------------|---------------------------|---------------------------|------------------------|-------------------------|---------------------------|--------------------------|
| | END | SIDE | END | SIDE | END | SIDE | END | SIDE | END | SIDE | @ | END | SIDE |
| +30 ft (9 m) | | | | | 10,000 lb* (4 536 kg)* | 10,000 lb* (4 536 kg)* | | | | | 16 ft 8 in (5.08 m) | 8,500 lb* (3 856 kg)* | 8,500 lb* (3 856 kg)* |
| +25 ft (7.5 m) | | | | | 8,050 lb* (3 651 kg)* | 8,050 lb* (3 651 kg)* | 9,800 lb* (4 445 kg)* | 9,800 lb* (4 445 kg)* | | | 22 ft 11 in (6.98 m) | 7,300 lb* (3 311 kg)* | 7,300 lb* (3 311 kg)* |
| +20 ft (6 m) | | | | | 11,300 lb* (5 126 kg)* | 11,300 lb* (5 126 kg)* | 10,750 lb* (4 876 kg)* | 10,750 lb* (4 876 kg)* | 9,800 lb* (4 445 kg)* | 7,950 lb (3 606 kg) | 26 ft 5 in (8.05 m) | 6,900 lb* (3 130 kg)* | 6,900 lb* (3 130 kg)* |
| +15 ft (4.5 m) | | | 18,000 lb* (8 165 kg)* | 18,000 lb* (8 165 kg)* | 14,350 lb* (6 509 kg)* | 14,350 lb* (6 509 kg)* | 11,900 lb* (5 398 kg)* | 11,300 lb (5 126 kg) | 10,750 lb* (4 876 kg)* | 7,750 lb (3 515 kg) | 28 ft 7 in (8.71 m) | 9,090 lb* (4 123 kg)* | 6,100 lb (2 767 kg) |
| +10 ft (3 m) | | | 26,800 lb* (12 156 kg)* | 26,800 lb* (12 156 kg)* | 18,500 lb* (8 391 kg)* | 16,800 lb (7 620 kg) | 13,900 lb* (6 305 kg)* | 10,750 lb (4 876 kg) | 11,650 lb* (5 284 kg)* | 7,500 lb (3 402 kg) | 29 ft 6 in (8.99 m) | 7,050 lb* (3 198 kg)* | 5,600 lb (2 540 kg) |
| +5 ft (1.5 m) | | | | | 21,650 lb* (9 820 kg)* | 15,650 lb (7 099 kg) | 15,650 lb* (7 099 kg)* | 9,751 lb (4 423 kg) | 12,500 lb* (5 670 kg)* | 7,250 lb (3 289 kg) | 29 ft 6 in (8.99 m) | 7,500 lb* (3 402 kg)* | 5,500 lb (2 495 kg) |
| Groundline | | | 17,500 lb* (7 938 kg)* | 17,500 lb* (7 938 kg)* | 22,850 lb* (10 365 kg)* | 15,000 lb (6 759 kg) | 10,790 lb* (4 894 kg)* | 9,800 lb (4 445 kg) | 10,790 lb* (4 894 kg)* | 7,000 lb (3 175 kg) | 28 ft 7 in (8.71 m) | 9,090 lb* (4 123 kg)* | 9,101 lb (4 128 kg) |
| -5 ft (-1.5 m) | 18,100 lb* (8 210 kg)* | 18,100 lb* (8 210 kg)* | 25,650 lb* (11 635 kg)* | 25,650 lb* (11 635 kg)* | 22,600 lb* (10 251 kg)* | 14,900 lb (6 759 kg) | 16,500 lb (7 484 kg) | 9,700 lb (4 400 kg) | 12,600 lb* (5 715 kg)* | 7,000 lb (3 175 kg) | 26 ft 9 in (8.15 m) | 9,700 lb* (4 400 kg)* | 6,350 lb (2 880 kg) |
| -10 ft (-3 m) | 25,300 lb* (11 476 kg)* | 25,300 lb (11 476 kg) | 29,950 lb* (13 585 kg)* | 29,200 lb (13 245 kg) | 20,950 lb* (9 503 kg)* | 15,150 lb (6 872 kg) | 15,300 lb* (6 940 kg)* | 9,900 lb (4 491 kg) | | | 23 ft 8 in (7.21 m) | 11,350 lb* (5 148 kg)* | 7,700 lb (3 493 kg) |
| -15 ft (-4.5 m) | | | 23,450 lb* (10 637 kg)* | 23,450 lb* (10 637 kg)* | 16,550 lb* (7 507 kg)* | 15,450 lb (7 008 kg) | | | | | 19 ft 0 in (5.79 m) | 11,150 lb* (5 058 kg)* | 10,950 lb (4 967 kg) |

9 ft 8 in (2.94 m) Lift capacities using a 1,450 lb (658 kg) bucket, 13,092 lb (5 940 kg) counterweight.

| Load (Lift Point Height) | 5 ft (1.5 m) | | 10 ft (3 m) | | 15 ft (4.5 m) | | 20 ft (6 m) | | 25 ft (7.5 m) | | 30 ft (9 m) | | MAXIMUM REACH | | |
|--------------------------------|----------------------------|----------------------------|----------------------------|----------------------------|----------------------------|---------------------------|---------------------------|---------------------------|---------------------------|------------------------|--------------------------|--------------------------|------------------------|---------------------------|--------------------------|
| | END | SIDE | END | SIDE | END | SIDE | END | SIDE | END | SIDE | END | SIDE | @ | END | SIDE |
| +30 ft (9 m) | | | | | 4,700 lb* (2 132 kg)* | 4,700 lb* (2 132 kg)* | | | | | | | 19 ft 7 in (5.97 m) | 5,650 lb* (2 563 kg)* | 5,650 lb* (2 563 kg)* |
| +25 ft (7.5 m) | | | | | | | 8,850 lb* (4 014 kg)* | 8,850 lb* (4 014 kg)* | | | | | 25 ft 0 in (7.62 m) | 4,950 lb* (2 245 kg)* | 4,950 lb* (2 245 kg)* |
| +20 ft (6 m) | | | | | | | 9,850 lb* (4 468 kg)* | 9,850 lb* (4 468 kg)* | 8,950 lb* (4 060 kg)* | 8,200 lb (3 719 kg) | | | 28 ft 3 in (8.61 m) | 4,700 lb* (2 132 kg)* | 4,700 lb* (2 132 kg)* |
| +15 ft (4.5 m) | | | 10,950 lb* (4 967 kg)* | 10,950 lb* (4 967 kg)* | 12,300 lb* (5 579 kg)* | 12,300 lb* (5 579 kg)* | 10,950 lb* (4 967 kg)* | 10,950 lb* (4 967 kg)* | 10,050 lb* (4 559 kg)* | 8,000 lb (3 629 kg) | 5,300 lb* (2 404 kg)* | 5,300 lb* (2 404 kg)* | 30 ft 2 in (9.19 m) | 4,650 lb* (2 109 kg)* | 4,650 lb* (2 109 kg)* |
| +10 ft (3 m) | | | 23,800 lb* (10 795 kg)* | 23,800 lb* (10 795 kg)* | 17,100 lb* (7 756 kg)* | 16,900 lb (7 666 kg) | 13,200 lb* (5 987 kg)* | 11,000 lb (4 990 kg) | 11,100 lb* (5 035 kg)* | 7,700 lb (3 493 kg) | 7,950 lb* (3 606 kg)* | 5,600 lb (2 540 kg) | 31 ft 1 in (9.47 m) | 4,850 lb* (2 200 kg)* | 4,850 lb* (2 200 kg)* |
| +5 ft (1.5 m) | | | 21,000 lb* (9 525 kg)* | 21,000 lb* (9 525 kg)* | 20,850 lb* (9 457 kg)* | 16,050 lb (7 280 kg) | 15,150 lb* (6 872 kg)* | 10,400 lb (4 717 kg) | 12,200 lb* (5 534 kg)* | 7,350 lb (3 334 kg) | 8,700 lb* (3 946 kg)* | 5,450 lb (2 472 kg) | 31 ft 1 in (9.47 m) | 5,150 lb* (2 336 kg)* | 5,100 lb (2 313 kg) |
| Groundline | | | 19,400 lb* (8 800 kg)* | 19,400 lb* (8 800 kg)* | 22,750 lb* (10 319 kg)* | 15,250 lb (6 917 kg) | 16,400 lb (7 439 kg) | 9,950 lb (4 513 kg) | 12,850 lb* (5 829 kg)* | 7,100 lb (3 221 kg) | 6,800 lb* (3 084 kg)* | 5,350 lb (2 427 kg) | 30 ft 3 in (9.22 m) | 5,700 lb* (2 585 kg)* | 5,300 lb (2 404 kg) |
| -5 ft (-1.5 m) | 16,250 lb* (7 371 kg)* | 16,250 lb* (7 371 kg)* | 24,800 lb* (11 249 kg)* | 24,800 lb* (11 249 kg)* | 22,850 lb* (10 365 kg)* | 14,950 lb (6 781 kg) | 16,600 lb (7 530 kg) | 9,750 lb (4 423 kg) | 12,850 lb* (5 829 kg)* | 7,000 lb (3 175 kg) | | | 28 ft 6 in (8.69 m) | 6,650 lb* (3 016 kg)* | 5,800 lb (2 631 kg) |
| -10 ft (-3 m) | 22,350 lb* (10 138 kg)* | 22,350 lb* (10 138 kg)* | 32,050 lb* (14 538 kg)* | 29,450 lb (13 358 kg) | 21,850 lb* (9 911 kg)* | 15,100 lb (6 849 kg) | 16,000 lb (7 257 kg) | 9,850 lb (4 468 kg) | 11,650 lb* (5 284 kg)* | 7,150 lb (3 243 kg) | | | 25 ft 8 in (7.82 m) | 8,400 lb* (3 810 kg)* | 6,850 lb (3 107 kg) |
| -15 ft (-4.5 m) | 32,300 lb* (14 651 kg)* | 32,300 lb* (14 651 kg)* | 26,700 lb* (12 111 kg)* | 26,700 lb* (12 111 kg)* | 18,650 lb* (8 459 kg)* | 15,550 lb (7 053 kg) | 13,050 lb* (5 919 kg)* | 10,250 lb (4 649 kg) | | | | | 21 ft 4 in (6.50 m) | 11,050 lb* (5 012 kg)* | 9,150 lb (4 150 kg) |

NOTE: *Lift capacities do not exceed 75% of the minimum tipping load or 87% of the hydraulic lift capacity.
Capacities that are marked with an asterisk are hydraulic limited.

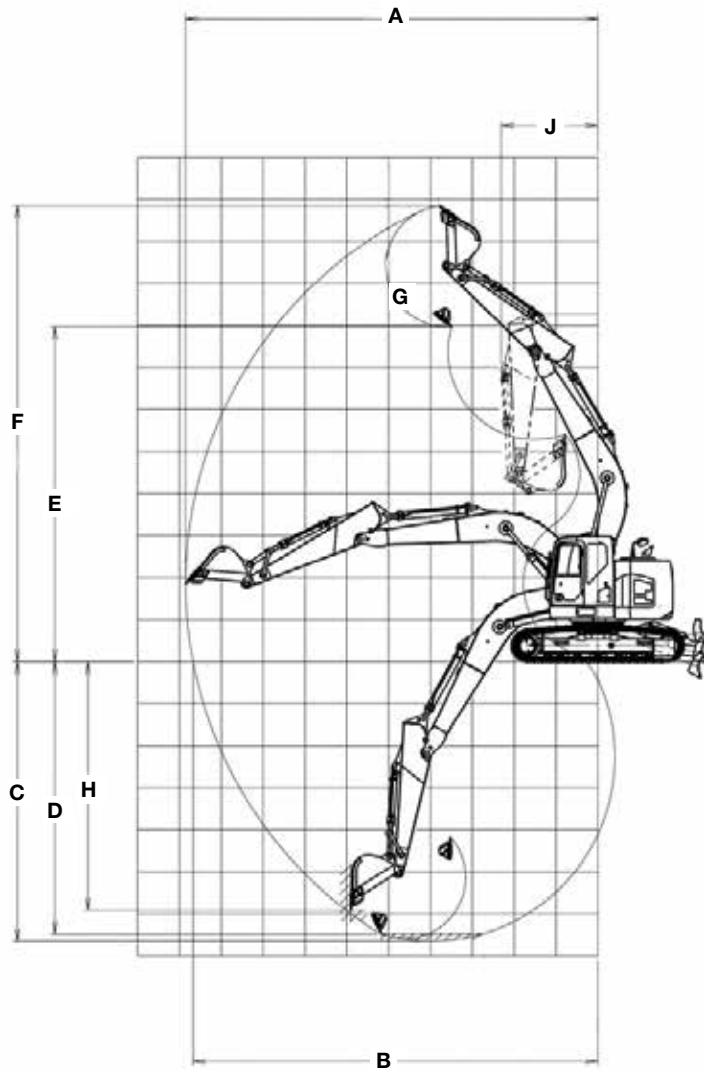


Line drawings are for illustrative purpose only and may not be exact representation of unit.

DIMENSIONS

| | 7 ft 10 in (2.40 m) Arm | 9 ft 8 in (2.94 m) Arm |
|---|-------------------------|------------------------|
| A. Overall height – with attachment | 10 ft 5 in (3 180 mm) | 10 ft 2 in (3 090 mm) |
| B. Cab height | 10 ft 0 in (3 040 mm) | 10 ft 0 in (3 040 mm) |
| C. Overall length – with attachment | 30 ft 6 in (9 300 mm) | 30 ft 3 in (9 210 mm) |
| D. Overall length – without attachment | 15 ft 5 in (4 700 mm) | 15 ft 5 in (4 700 mm) |
| E. Width of upper structure | 9 ft 10 in (2 990 mm) | 9 ft 10 in (2 990 mm) |
| F. Track overall length | 13 ft 9 in (4 180 mm) | 13 ft 9 in (4 180 mm) |
| G. Track overall width with 23.6 in (600 mm) shoes | 9 ft 2 in (2 800 mm) | 9 ft 2 in (2 800 mm) |
| H. Track shoe width | 2 ft 0 in (600 mm) | 2 ft 0 in (600 mm) |
| J. Center to center – idler to sprocket | 11 ft 1 in (3 370 mm) | 11 ft 1 in (3 370 mm) |
| K. Upper structure ground clearance | 3 ft 4 in (1 020 mm) | 3 ft 4 in (1 020 mm) |
| L. Minimum ground clearance | 1 ft 5 in (440 mm) | 1 ft 5 in (440 mm) |
| M. Rear tail swing radius | 5 ft 10 in (1 790 mm) | 5 ft 10 in (1 790 mm) |
| N. Dozer blade width | 9 ft 2 in (2 800 mm) | 9 ft 2 in (2 800 mm) |
| O. Dozer blade height | 2 ft 0 in (610 mm) | 2 ft 0 in (610 mm) |
| Operating weight* | 56,685 lb (25 712 kg) | 56,879 lb (25 800 kg) |
| Ground pressure | 8.4 psi (0.58 bar) | 8.4 psi (0.58 bar) |

NOTE: *With 23.6 in (600 mm) track shoe, 1,550 lb (703 kg) bucket, 165 lb (75 kg) operator, full fuel and standard equipment.



Line drawings are for illustrative purpose only and may not be exact representation of unit.

PERFORMANCE SPECS

| | 7 ft 10 in (2.40 m) Arm | 9 ft 8 in (2.94 m) Arm |
|---|-------------------------|------------------------|
| A. Maximum dig radius | 30 ft 9 in (9 370 mm) | 32 ft 4 in (9 850 mm) |
| B. Dig radius at groundline | 30 ft 1 in (9 180 mm) | 31 ft 9 in (9 670 mm) |
| C. Maximum dig depth | 20 ft 1 in (6 120 mm) | 21 ft 10 in (6 650 mm) |
| D. Dig depth – 8 ft 0 in (2.44 m) level bottom | 19 ft 5 in (5 910 mm) | 21 ft 3 in (6 480 mm) |
| E. Dump height | 25 ft 0 in (7 630 mm) | 26 ft 2 in (7 970 mm) |
| F. Maximum reach height | 34 ft 6 in (10 515 mm) | 35 ft 8 in (10 860 mm) |
| G. Bucket rotation | 177° | 177° |
| H. Maximum vertical wall dig depth | 18 ft 0 in (5 480 mm) | 19 ft 5 in (5 920 mm) |
| J. Minimum swing radius | 8 ft 4 in (2 550 mm) | 7 ft 7 in (2 310 mm) |
| Arm digging force: | | |
| Standard | 27,652 lb (123 kN) | 23,155 lb (103 kN) |
| Power Boost | 29,675 lb (132 kN) | 24,729 lb (110 kN) |
| Bucket digging force: | | |
| Standard | 31,923 lb (142 kN) | 31,923 lb (142 kN) |
| Power Boost | 34,171 lb (152 kN) | 34,171 lb (152 kN) |

STANDARD EQUIPMENT

OPERATOR ENVIRONMENT

See page 1

ENGINE

Isuzu four-cylinder turbo-charged diesel
Tier 4 Interim Certified – CEGR
Electronic fuel injection
High pressure common rail system
Diesel Particulate Defuser System – DPD
Neutral safety start
Auto-engine warm up
Glow-plug pre-heat
EPF – Engine Protection Feature
Dual-stage fuel filtration
Dual element air filter
Remote oil filter
Green plug oil drain
500-hour engine oil change interval
24-volt system
Requires CJ-4 engine oil
Requires ultra low-sulfur fuel

FUEL ECONOMY SYSTEMS

Engine Idle/Fuel Economy System:
Auto-idle
One-touch idle
Idle shut-down
BEC – Boom Economy Control
AEC – Auto Economy Control
SWC – Swing Relief Control
SSC – Spool Stroke Control

HYDRAULICS

Auto power boost
Auto swing priority
Auto travel speed change
Selectable work modes
ISO pattern controls
Pre-set auxiliary pump settings
Auxiliary valve
Auxiliary pipe brackets
5,000-hour hydraulic oil change interval
1,000-hour hydraulic filter change interval
SAHR brake

UPPER STRUCTURE

Right and left side mirrors
Isolation mounted cab – fluid and spring
Common key vandal locks
Upper mounted work light – 70 watt
Swivel guard belly pan

UNDERCARRIAGE

23.6 in (600 mm) steel shoes, triple semi-grouser
Full overlap turntable bearing tub
Single track chain guides
Hydraulic track adjustment
X-pattern carbody

ATTACHMENTS

Boom – 18 ft 8 in (5.70 m)
Arm – 9 ft 8 in (2.94 m)
Heavy-duty bucket linkage
Boom mounted work light – 70 watt
Auxiliary pipe brackets
Centralized grease fittings
Attachment cushion valve
Arm and boom regeneration

DOZER BLADE

Blade width – 9 ft 2 in (2800 mm)
Blade height – 24.0 in (610 mm)
Max. lift above ground – 19.3 in (490 mm)
Max. drop below ground – 15.4 in (390 mm)

TELEMATICS

CASE SiteWatch™ Telematics – includes hardware and a 3-yr Advanced data subscription

OPTIONAL EQUIPMENT

OPERATOR ENVIRONMENT

Control pattern selector
FOPS cab top guard – Level 2
Front grill guard – 2 x 2 screen mesh
Front rock guard:
Vertical bars – two piece/OPG 1
Front rock guard:
Vertical bars – fixed/one piece/OPG 2
Vandal guard
Rain deflector
Sun visor
Side-view camera

HYDRAULICS

Auxiliary hydraulics:
Single acting/joystick activated
Double acting/joystick activated
Multi-function/joystick activated
Secondary low-flow/joystick activated

UNDERCARRIAGE

23.6 in (600 mm) rubber shoes
27.6 in (700 mm) steel shoes, triple semi-grouser
31.5 in (800 mm) steel shoes, triple semi-grouser

ATTACHMENTS

Arm – 7 ft 10 in (2.40 m)
Coupler/Case multi-pin grabber
Buckets:
Heavy-duty
Extreme-duty
Load holding control
Free swing – order kit through Service Parts
Hose Burst Check Valve – HBCV

BUCKETS

| Application | Width | SAE Heaped Capacity |
|--------------------|----------------------------------|--|
| General Purpose | 24 in (0.61 m) to 48 in (1.22 m) | 0.65 yd ³ (0.50 m ³) to 1.53 yd ³ (1.17 m ³) |
| Heavy-duty | 24 in (0.61 m) to 48 in (1.22 m) | 0.64 yd ³ (0.49 m ³) to 1.51 yd ³ (1.15 m ³) |
| Extreme-duty | 24 in (0.61 m) to 42 in (1.07 m) | 0.58 yd ³ (0.44 m ³) to 1.19 yd ³ (0.91 m ³) |
| Heavy-duty coupler | 24 in (0.61 m) to 39 in (0.99 m) | 0.55 yd ³ (0.42 m ³) to 1.03 yd ³ (0.79 m ³) |
| Ditching | 60 in (1.52 m) to 66 in (1.68 m) | 1.08 yd ³ (0.83 m ³) to 1.20 yd ³ (0.92 m ³) |

This page intentionally left blank.



NOTE: All specifications are stated in accordance with SAE Standards or Recommended Practices, where applicable.

NOTE: All engines meet current EPA emissions requirements.

IMPORTANT: Case Construction Equipment Inc. reserves the right to change these specifications without notice and without incurring any obligation relating to such change. Case Construction Equipment Inc. does not warrant the safety or reliability of attachments from other manufacturers.

CASE is a trademark registered in the United States and many other countries, owned by or licensed to CNH Industrial N.V., its subsidiaries or affiliates. CNH Industrial Capital is a trademark in the United States and many other countries, owned by or licensed to CNH Industrial N.V., its subsidiaries or affiliates.

Form No. CCE201503CX235CSRDB
Replaces Form No. CCE201312CX235CSRDB

Printed in U.S.A.
CX235C SR DB • Page 7 of 7



www.casece.com

© 2015 CNH Industrial America LLC
All Rights Reserved



All Case construction equipment is biodiesel ready.